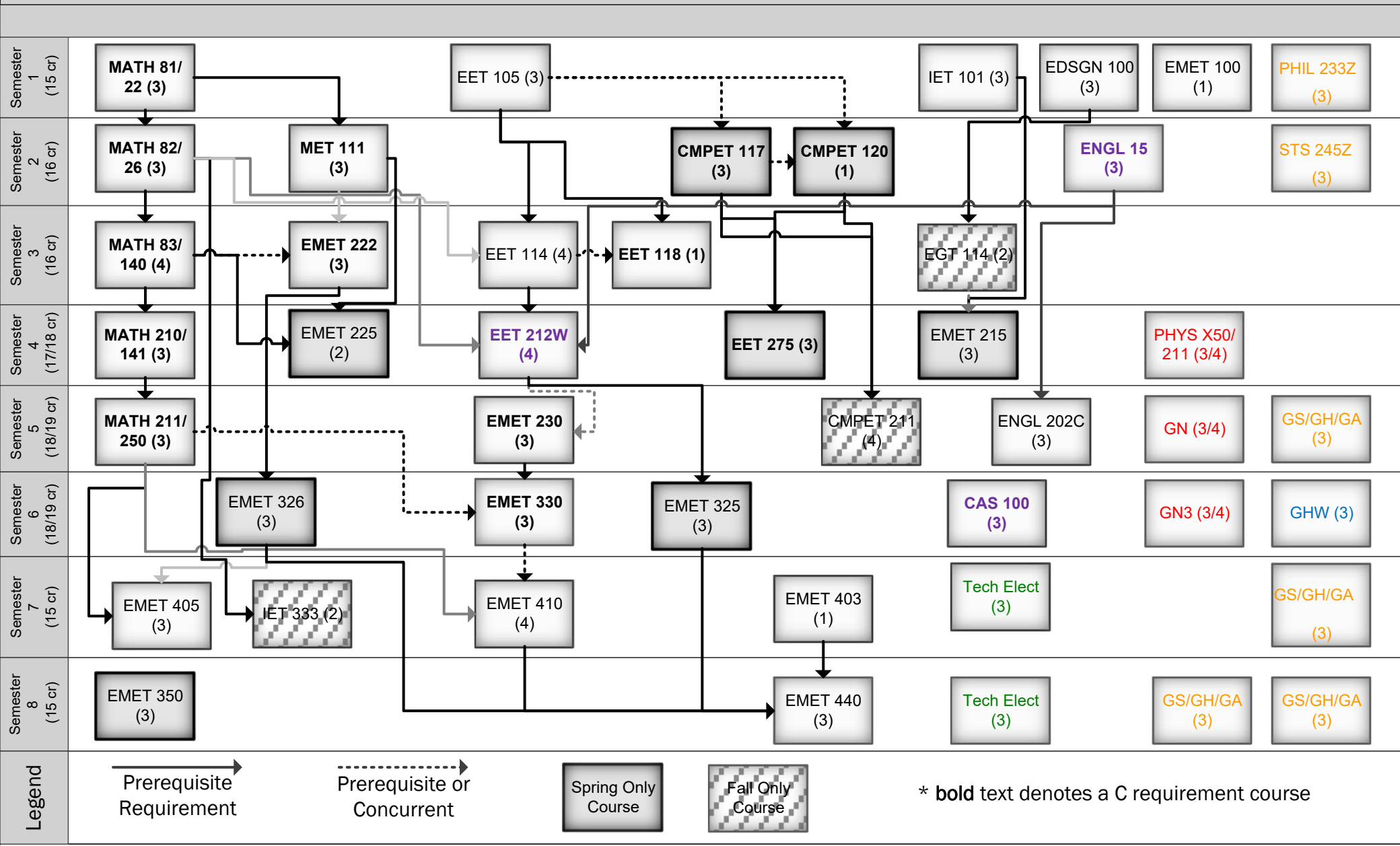


# Electro-Mechanical Engineering Technology Course Sequence Chart – Altoona Campus [fall 2018+]



**Foundations**  
 Writing/Speaking (9 cr):  
 ENGL 15    CAS 100    EET 212W

Quantification (6 cr):  
 MATH 210 or MATH 141    MATH 211 or MATH 250/1

**Technical Electives (6cr)**

**Breadth of Knowledge (15 cr)**  
 GH: \_\_\_\_\_ GA: \_\_\_\_\_ GS: \_\_\_\_\_ GN: **PHYS X50/211** GHW: \_\_\_\_\_  
 US

Integrative Studies  
 Linked (6 cr) : **PHIL 233Z (GH) + STS 245Z (GS, STS, IL)**

Exploration (9 cr)  
 **PHYS X51/212** -or-  **CHEM 110+111**    **EMET GN3:** \_\_\_\_\_   GA/GH/GS: